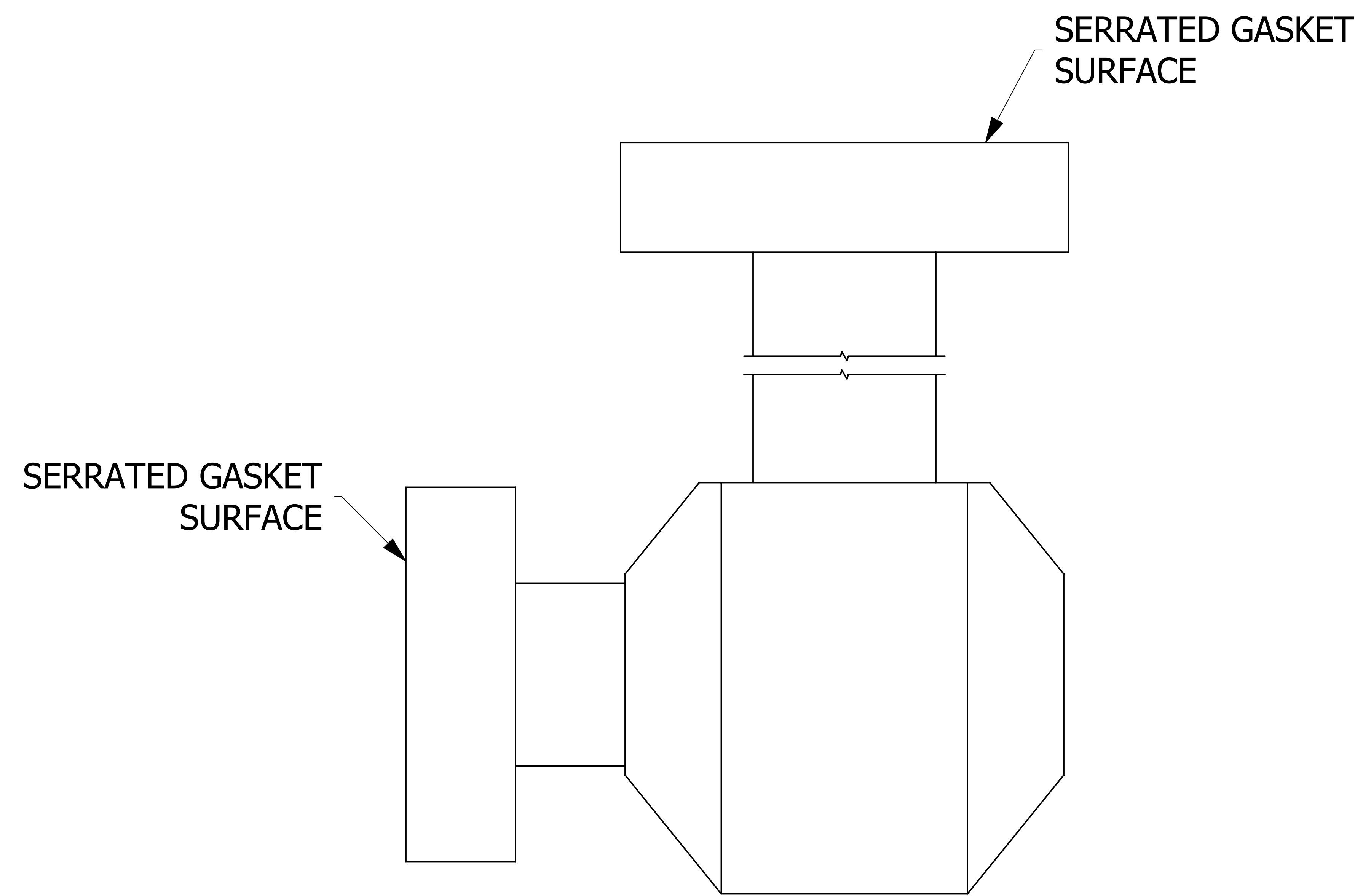
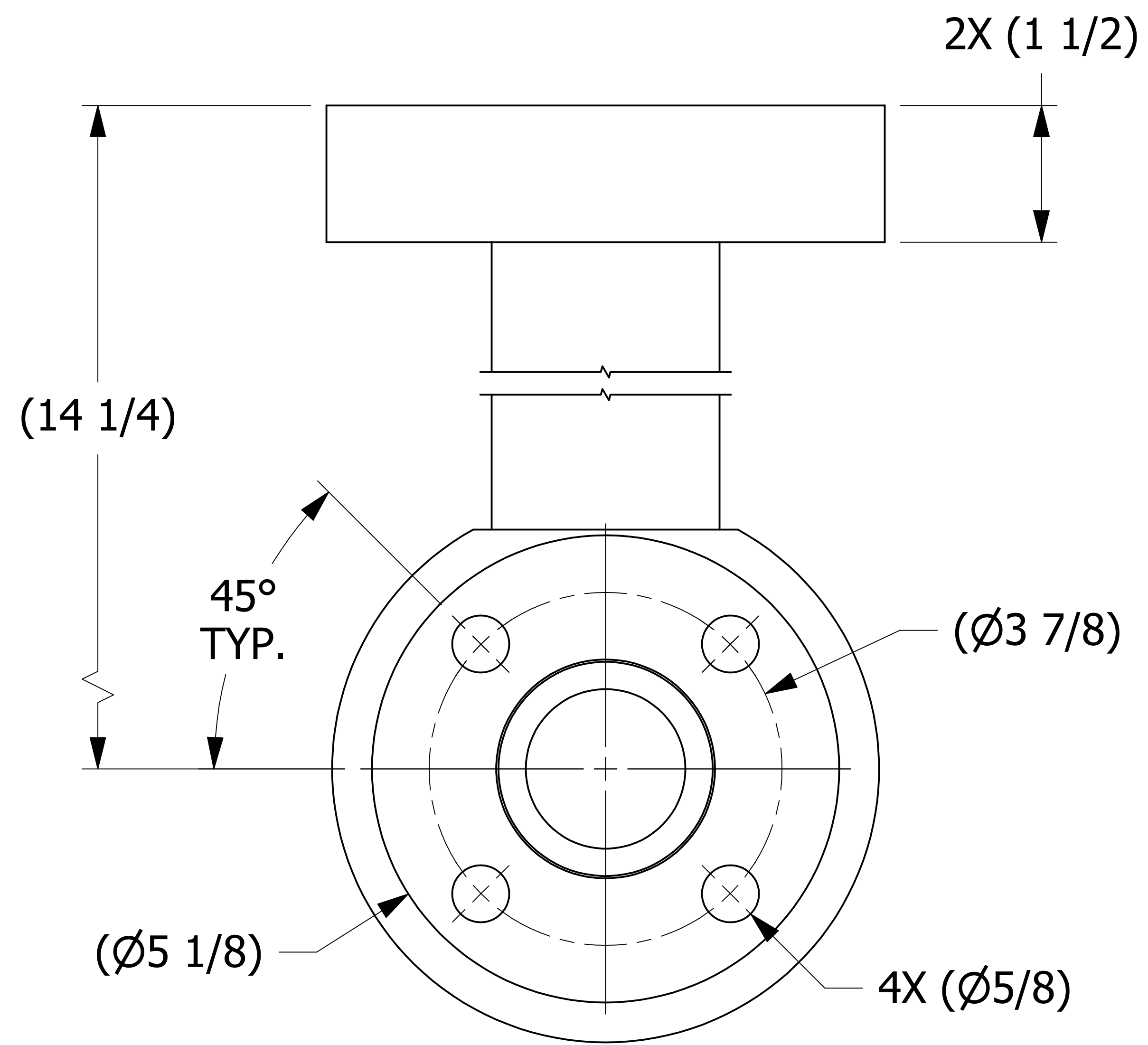


ISOMETRIC VIEW



SALES DRAWING SALES DRAWING

SALES DRAWING SALES DRAWING

UNLESS OTHERWISE SPECIFIED
DIMENSIONAL TOLERANCES
FRACTIONAL: ±1/16
X.XX: ±.03
X.XXX: ±.015
ANGULAR: ±1°
DEBURR ALL SHARP EDGES.
ALL MACHINED SURFACES TO
HAVE A 125 RMS FINISH UNLESS
NOTED OTHERWISE.

DRAWN BY: GDS
CHECKED BY: CHL
PROTOTYPE BY: GDS
PROTOTYPE DATE: 3/26/2014
APPROVED FOR PRODUCTION BY: TAK
PRODUCTION DATE: 11/12/2014

A TAK 11-12-14 RELEASED FOR PRODUCTION			
REV	BY	DATE	DESCRIPTION
SALCO PRODUCTS, INC.			
PART NAME: PIPE ELBOW 2"X1 1/2"X90°			
MATERIAL: SALCO PE			
PROJECT #:	130411	SHEET #:	1 OF 1
DRAWING #:	E38602	PART #:	HS2X15X90PE3
		SCALE:	1:1

